

ARTWOOD

SINCE 1969

ASSEMBLY INSTRUCTIONS CANYONBASE

IMPORTANT SAFETY

Carefully unpack the product

Check product so no electric part is damaged

Do not exceed Max watt

ASSEMBLY INSTRUCTIONS

The electrical installation should only be performed by qualified electricians.

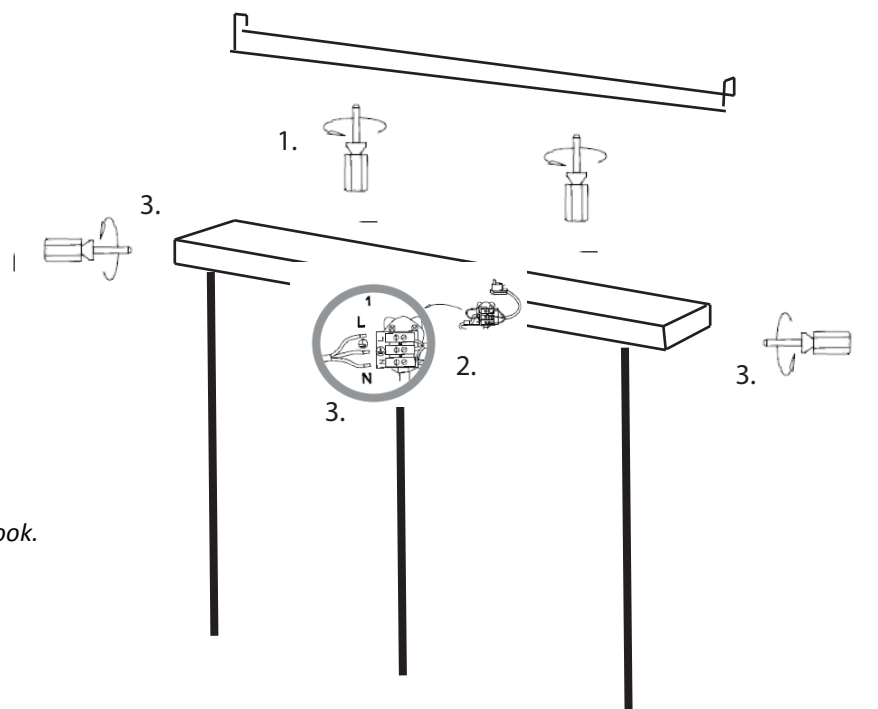
Turn off main powers

Do not install the lamp to a damaged ceiling or hook.

Connect plug to wires as instructed in picture

Hang the lamp and connect the plug

Pull the ceiling cup up and fix it with the screw.



This product is CE Certified
230 volt Max Watt stands on bulbholder



CARE INSTRUCTIONS

To clean, use a soft cloth only.

Do not use any chemical or abrasive cleaners

